

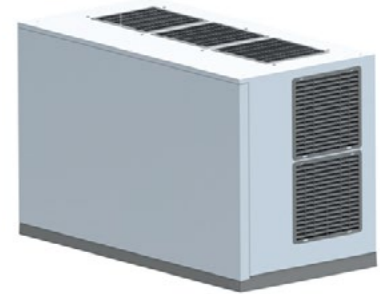
SPIKA MS1500R 48"

208 - 230 V / 60 Hz

MODULAR ICE CUBE MACHINE

FEATURES

- ▶ PRODUCES FULL DICE OR HALF DICE ICE CUBES
- ▶ HIGH EFFICIENCY EVAPORATOR
- ▶ SMART WATER DISTRIBUTOR THAT IMPROVES DROP-OFF EFFICIENCY
- ▶ EASY ACCESS FOR SERVICE BY REMOVING THE PANELS WITH A SINGLE SCREWDRIVER
- ▶ SMART ELECTRONIC BOARD CONTROLS EVERY PARAMETER IN THE MACHINE AND SHOWS THE DIAGNOSIS OF POSSIBLE INCIDENCES
- ▶ HIGH RESISTANCE EXTERNAL FRAME IN AISI 304 STAINLESS STEEL



	 24 H	 70°F/20°C lbs (Kg)	 50°F/10°C lbs (Kg)	 90°F/32°C lbs (Kg)	 70°F/21°C lbs (Kg)	 in (mm)	 in (mm)
SPIKA MS1500R 48" H		-	-	-	-	Width 48" (1220) Depth 24" (620) Height 30" (763)	Width 51" (1290) Depth 27" (685) Height 34" (890)
SPIKA MS1500R 48" F		1698 (770)	1576 (715)				

SPIKA HALF DICE
0,9" (W) x 0,4" (D) x 1" (H)
23 mm (W) x 11 mm (D) x 26 mm (H)
Average dimensions

SPIKA FULL DICE
1" (W) x 0,9" (D) x 1" (H)
26 mm (W) x 23 mm (D) x 26 mm (H)
Average dimensions

ACCESSORIES

INCLUDED



SCOOP

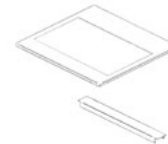
NOT INCLUDED



DOUBLE 10" FILTER
ANTI-LIMESCALE + ANTI-CHLORINE
CS102



10" REPLACEMENT CARTRIDGE
ANTI-LIMESCALE + ANTI-CHLORINE
CS10



ADAPTER PLATES



SCALE KLEEN

RECOMMENDED BINS



S900
+
1 | 2 SPIKA
MS1500R



S1050
+
1 | 2 SPIKA
MS1500R



SCD900
+
1 | 2 SPIKA
MS1500R



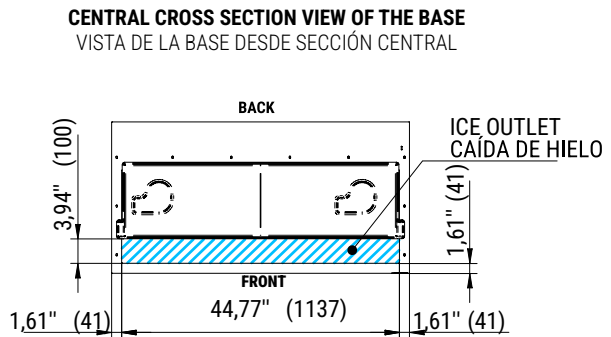
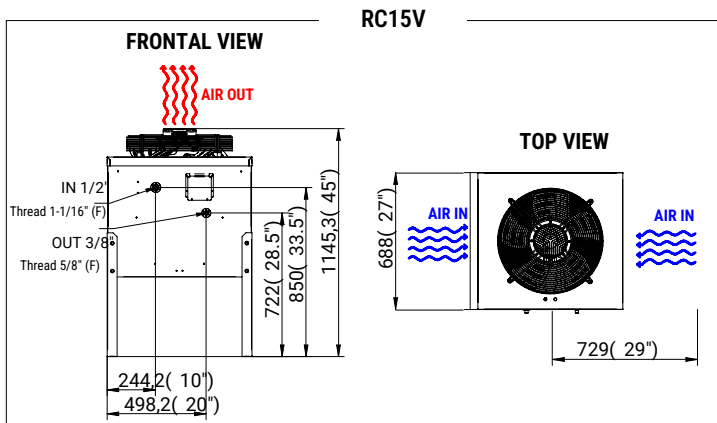
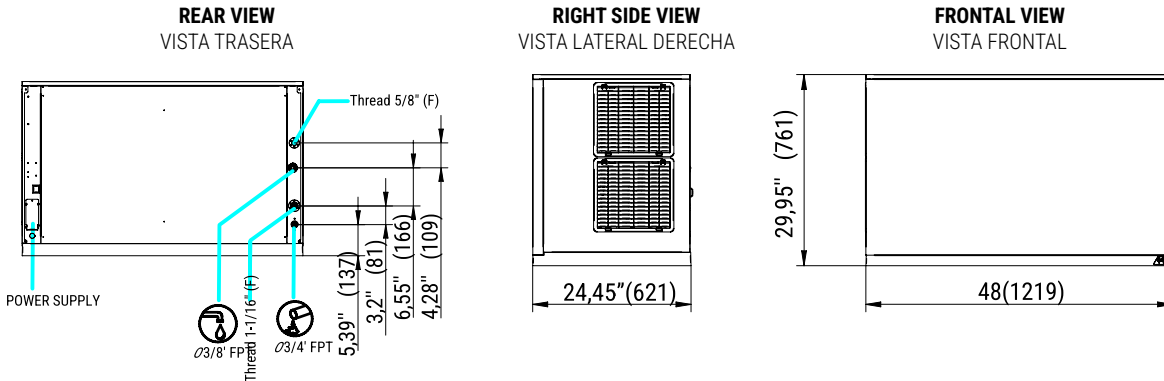
SCD1400
+
SPIKA
MS1500R



SCD1800
+
SPIKA
MS1500R

TECHNICAL SCHEME

SPIKA MS1500R 48"



* All dimensions in inches (and mm)

OPERATING CONDITIONS

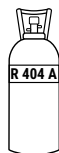
PRODUCTION (LBS) 60Hz

±10% V

MACHINE	CONDENSER
50°F / 109°F	-4°F / 122°F
41°F / 86°F	-

14.5 psi (1 bar) / 87 psi (6 bar)

640/1280 Ice cubes/cycle



V	Hz	ph
220	60	1N



FULL DICE
SPIKA MS1500R-48 AIR COOLED

°F / °C	50° 10°	60° 15°	70° 21°	86° 30°
50° 10°	1708	1697	1686	1631
68° 21°	1698	1682	1668	1609
90° 32°	1609	1591	1576	1477
109° 43°	1455	1437	1422	1335



HALF DICE
SPIKA MS1500R-48 WATER COOLED

°F / °C	50° 10°	60° 15°	70° 21°	86° 30°
50° 10°	-	-	-	-
68° 21°	-	-	-	-
90° 32°	-	-	-	-
109° 43°	-	-	-	-

MODELS

MODEL	ASHRAE CONDITIONS (BTU/h)	(W)	(W) 109°F	(AWG/mm ²) (n.)	FUSE	100lbs 90°F / 70°F (Kwh/100 lbs)	gal / 100lbs (l/h)	HEAT REJECTED (BTU/h) (W)	(lbs)	(lbs)
SPIKA MS1500R 48" H	-	-	-	-	-	-	-	-	-	-
SPIKA MS1500R 48" F	28,746	8,424	2,700	14/2.5	3	25	3.86	40.76 10.76	19,250	5,640 320 373
RC15V	-	-	206	16/1.5	3	25-	-	-	-	-



ITV Ice Makers, Inc.
9550 Satellite Blvd, Suite 100
Orlando, FL 32837
Phone: 1 407 826 1860 | Fax: 1 407 826 1861
Toll Free: 1 888 488 1423
sales@itvice.com | www.itvice.com



SERVICE
service@itvice.com
Skype: service@itvice.com
PHONE: +1 888 488 1423
FROM 8AM TO 5PM EST

WARRANTY:
ICE MAKERS - 3 YEARS PARTS AND LABOR
EVAPORATOR - 5 YEARS PARTS AND LABOR
COMPRESSOR - 5 YEARS PARTS

